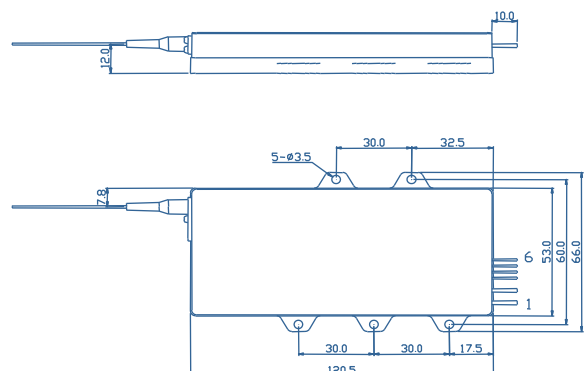
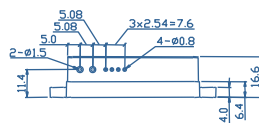


Model		M808±10-120-F200/22-DK-A		
Optical Parameters	Unit	Typical		
Output Power	W	95	100	120
Central Wavelength	nm	802	808	818
Wavelength Temp. Coefficient	nm/°C		0.35	
Wavelength Current Coefficient	nm/A		0.8	
Fiber Parameters				
Fiber Core Diameter	µm	196	200	204
Fiber Cladding Diameter	µm	217	220	223
Numerical Aperture		0.20	0.22	0.24
Bare Fiber Length	m		1, 2, 5	
Fiber Connector (optional)	-		HP-SMA905	
Electric Parameters				
Threshold Current	A		1.3	
Operating Current	A		7.0	8.0
Operating Voltage	V		32.5	33.0
Slope Efficiency	W/A		17.4	
Power Conversion Efficiency	%	40	44	
Accessories				
Thermistor	kΩ		10@25°C	
Red aiming			2mW or higher	
Other Parameters				
Operating Temperature (NTC)	°C		25 – 35	
Operating Humidity	%		< 75	
Storage Temperature	°C		-20 – +80	
Soldering Temperature	°C		250 (10s)	

Pin	Function
1	Laser diode anode (+)
2	Laser diode cathode (-)
3	Red pilot anode (+)
4	Red pilot cathode (-)
5	Thermistor
6	Thermistor



**Compliance with Regulatory Requirements:** This industrial laser is an OEM version of a laser diode. As such, it is intended only for integration into other equipment. This laser does not comply with IEC and CDRH requirements. The customer is responsible for IEC and CDRH certifications of the system that incorporates this industrial laser.

